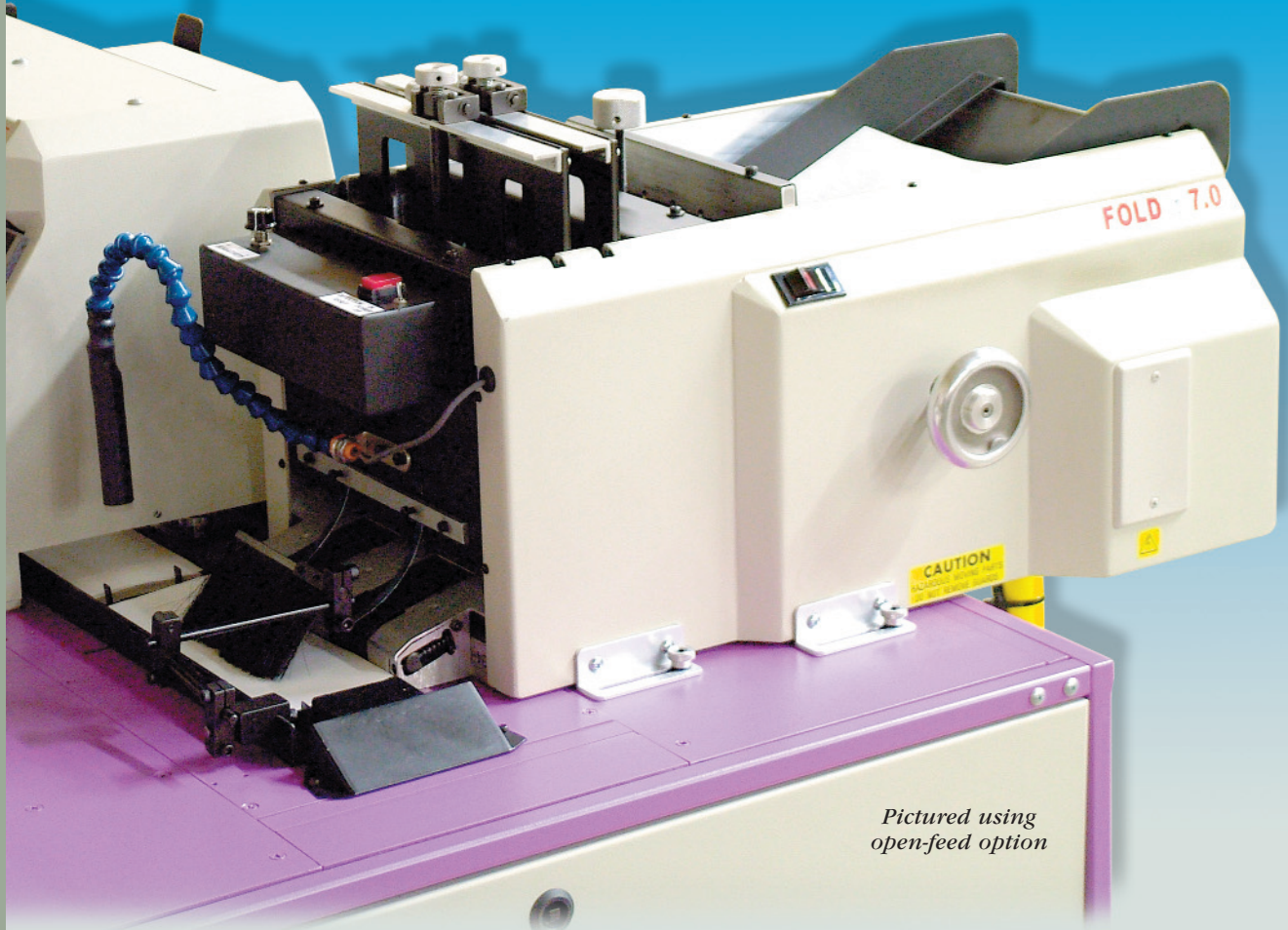


MAILCRAFTERS

*A Compact Sheet Folder
With Speeds In Excess
Of 7000 Sheets Per Hour*



*Pictured using
open-feed option*

FOLDit 7.0 FEATURES

- High Performance - In Excess of 7000 Sheets Per Hour
- Tri-Fold, Fan-fold and Single Fold
- Easy Installation
- Compact Size / Rugged Construction
- Compatible with Most Inserters



MAILCRAFTERS

A Division of INSCERCO MFG. INC.

FOLDit 7.0TM

THEULTIMATECHOICEINCOMPUTERIZEDINSERTINGTECHNOLOGY

FOLDit 7.0 – HIGH PERFORMANCE SHEET FOLDER

This high performance, moderately priced *FOLDit 7.0* friction-feed sheet folder is designed and engineered to be added to inserting machines with minimum interface requirements. Using only one inserting station, or added to an open-feed extension, it provides the user with compact, quick on-line folding capability.

This folder has been specially developed to offer simplicity, economy and production quality to the low to mid-volume market. The *FOLDit 7.0* is designed for ease of installation. It is ideal for controlling complicated sorting applications and its easy top-loading access assures correct document sequence integrity.

FOLDit 7.0 – FEATURES & SPECIFICATIONS

The new *FOLDit 7.0* has the following standard features and specifications:

- Friction-feed with a cycle speed in excess of 7000 sheets per hour
- Maximum Sheet Size of 8.5" x 14"
- Utilizes two adjustable straight-up and one blank fold plate
- Fold Styles: Letter Tri-fold, Fan Fold and Single Fold

Bar code reading and other system selection related functionality can be incorporated into the *FOLDit 7.0* on a special factory request and quote basis.

SPECIFICATIONS

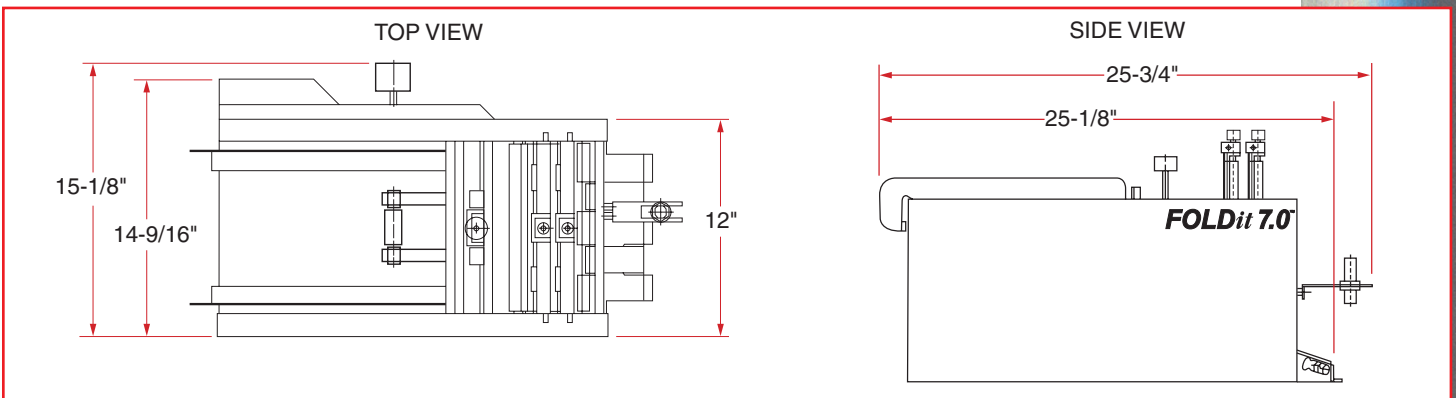
- Type of Folder: Friction-Feed
- Maximum Sheet Size: 8-1/2" x 14"
- Minimum Sheet Size: 4" x 6"
- Maximum Fold (each plate): 8-1/4"
- Minimum Fold (each plate): 2-3/8"
- Plate Type: 2 quantity, Adjustable, Straight Up 1 quantity, Blank (no fold)
- Operating Voltage: 110 VAC, 5 Amps, 60 Hz (220 VAC Special Order)
- Weight: 71 pounds (machine only)
- Speed: Exceeds 7000 sheet per hour

OPTIONS

- 3 of 9 Code Scanning (for gathering)
- Open-feed Kit



Pictured In Selection Station



MAILCRAFTERS

A Division of INSCERCO MFG. INC.

4621 West 138th Street

Crestwood, IL 60445

Phone: 708-597-8777

Fax: 708-597-2176

Website: www.inscerco.com

YOUR AREA REPRESENTATIVE IS:



Roberts Business Machines, Inc.
Automated Mail Processing Equipment

Brian R. Dickerman
President

860.645.9777

800.842.4901

Fax 860.645.9777

175 Adams Street

Manchester, CT 06040

www.mailingmachines.us